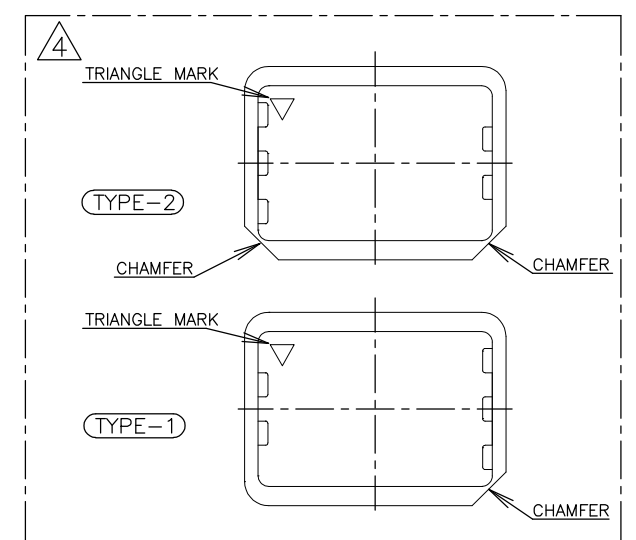
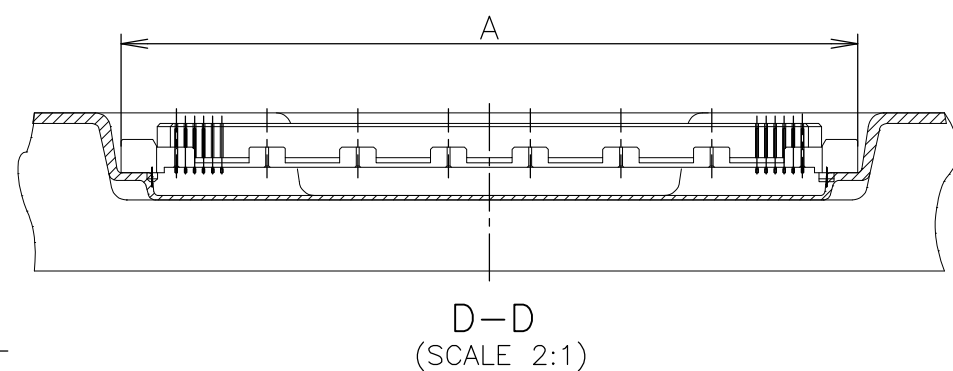
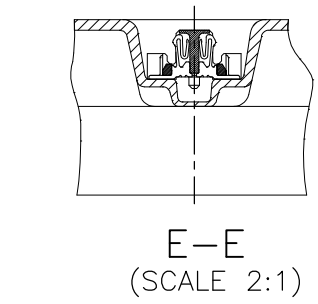
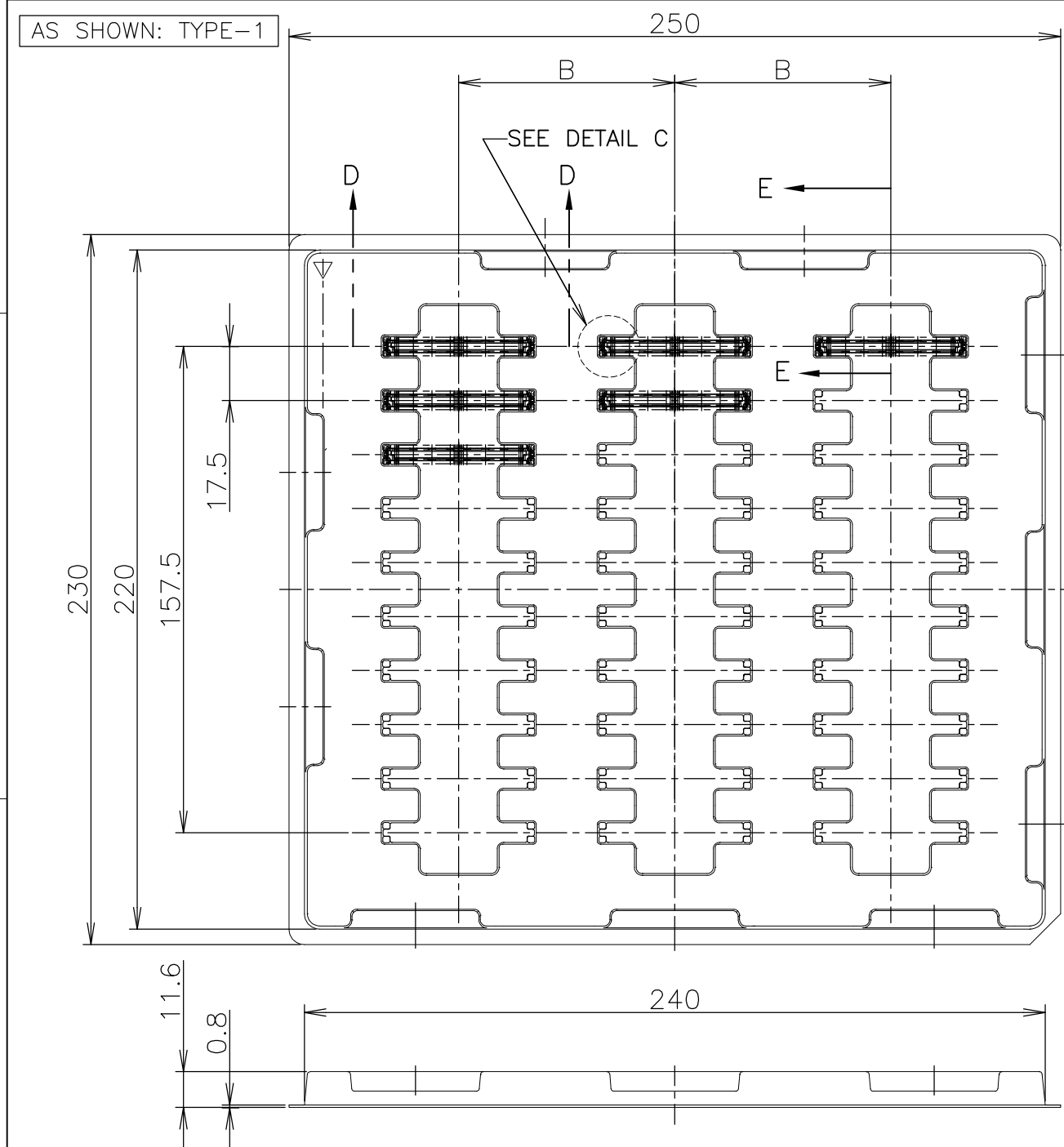
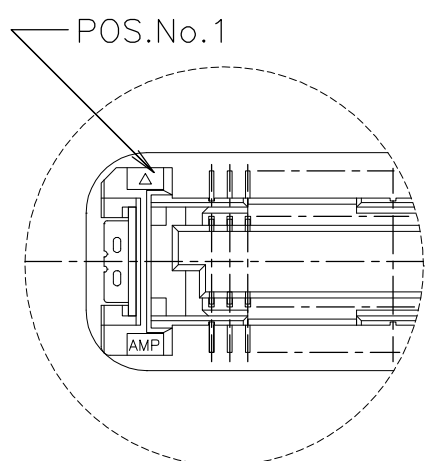


THIS DRAWING IS UNPUBLISHED. RELEASED FOR PUBLICATION MAY, 1995.
 © COPYRIGHT 1995 BY TYCO ELECTRONICS CORPORATION. ALL RIGHTS RESERVED.

LOC	DIST	REVISIONS					
J		P	LTR	DESCRIPTION	DATE	DWN	APVD
			A	REVISED ECR-08-000340	01FEB08	T.T	T.F



SEALANT	TOOLING STATUS	ROW	QTY	B	A	POS.	TRAY P/N	PART NO.
AVAILABLE	3	30	70	54.7	160	912063-9	6-5316077-1	
AVAILABLE	↑	↑	↑	48.7	140	912063-8	6-↑	-0
NOT AVAILABLE				42.7	120	4-912065-9	5-↑	-9
NOT AVAILABLE	↓	↓	↓	36.7	100	8-912066-2	5-↑	-8
NOT AVAILABLE	3	30	70	33.7	90	9-912066-6	5-↑	-7
AVAILABLE	5	50	43	30.7	80	912067-3	5-↑	-6
AVAILABLE	↑	↑	↑	27.7	70	912063-1	5-↑	-5
NOT AVAILABLE				24.7	60	9-912066-5	5-↑	-4
AVAILABLE				21.7	50	9-912062-9	5-↑	-3
NOT AVAILABLE	↓	↓	↓	18.7	40	9-912066-4	5-↑	-2
NOT AVAILABLE	5	50	43	15.7	30	9-912066-3	5-5316077-1	
AVAILABLE	3	30	70	54.7	160	912063-9	1-5316077-1	
AVAILABLE	↑	↑	↑	48.7	140	912063-8	1-↑	-0
NOT AVAILABLE				42.7	120	4-912065-9		-9
NOT AVAILABLE	↓	↓	↓	36.7	100	8-912066-2		-8
NOT AVAILABLE	3	30	70	33.7	90	9-912066-6		-7
AVAILABLE	5	50	43	30.7	80	912067-3		-6
AVAILABLE	↑	↑	↑	27.7	70	912063-1		-5
NOT AVAILABLE				24.7	60	9-912066-5		-4
AVAILABLE				21.7	50	9-912062-9		-3
NOT AVAILABLE	↓	↓	↓	18.7	40	9-912066-4		-2
NOT AVAILABLE	5	50	43	15.7	30	9-912066-3	5316077-1	



⚠ TRAY TYPE-1 AND TYPE-2 MUST BE PILED UP BY TURNS. (REFER TO PACKING SPECIFICATIONS)

GENERAL TOLERANCE
一般公差

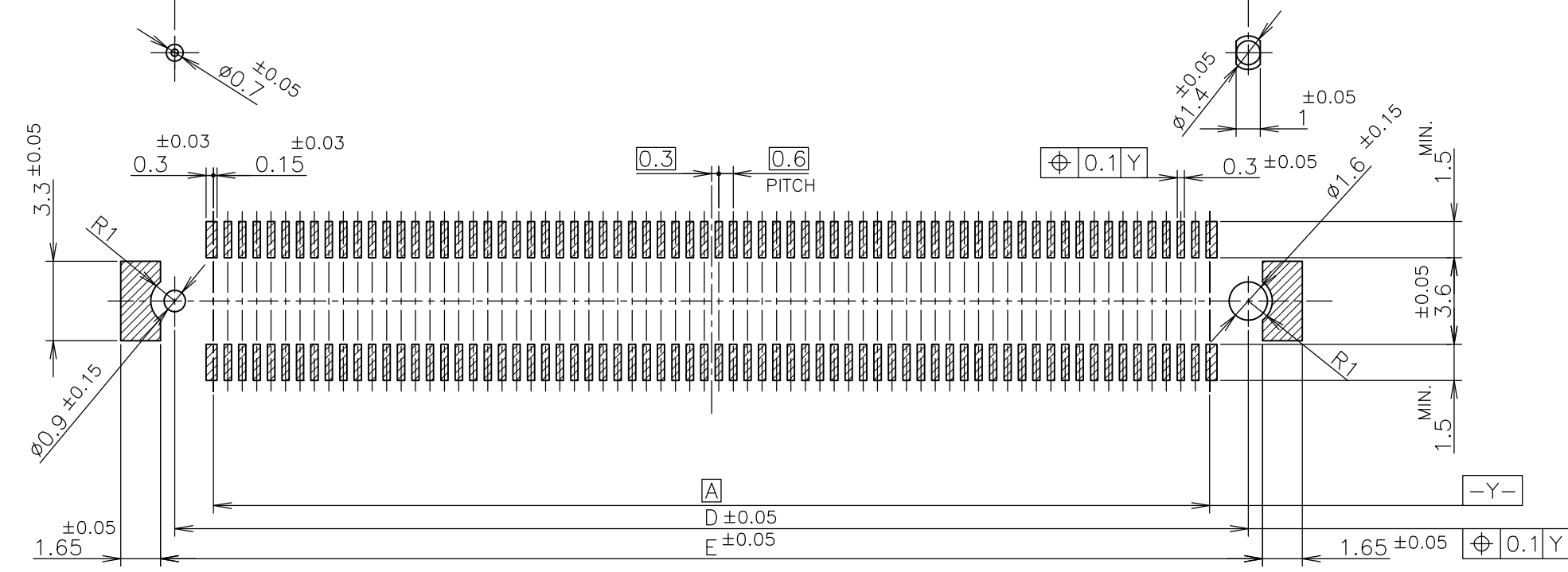
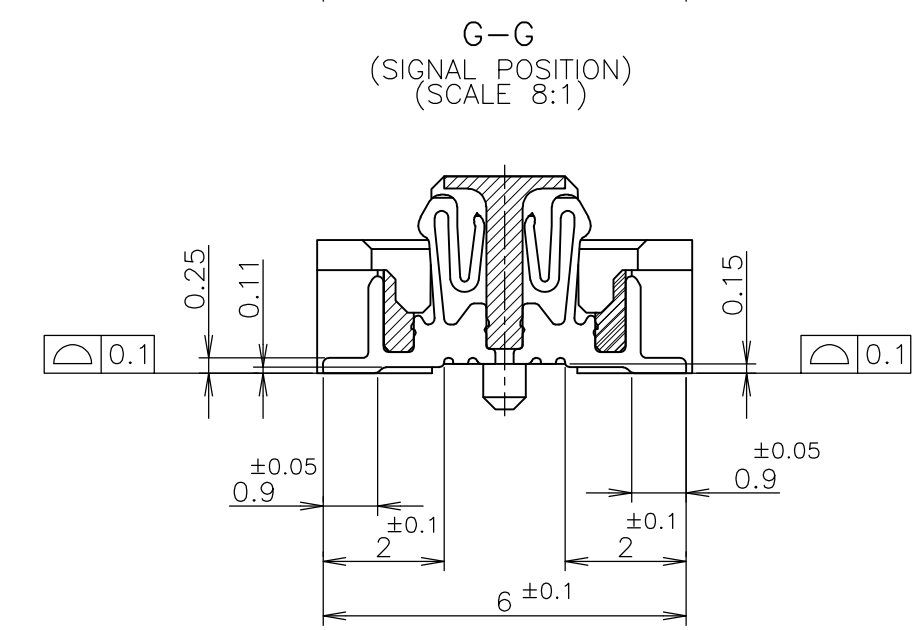
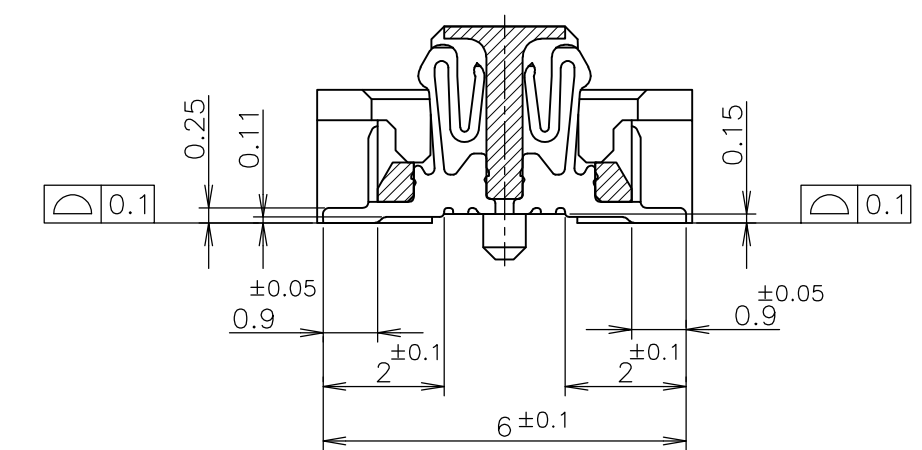
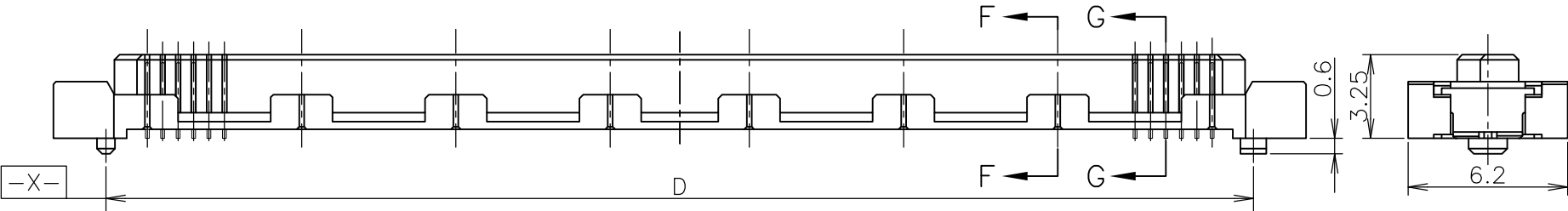
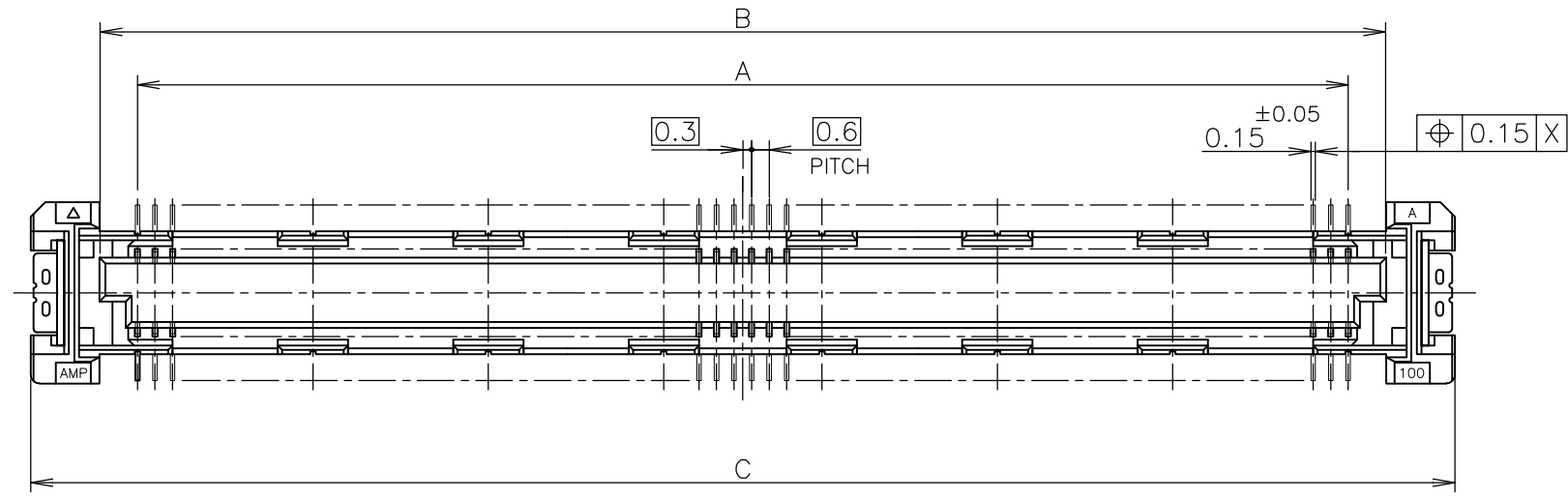
10 ≥	±0.2
30 ≥	>10: ±0.25
100 ≥	>30: ±0.3
ANGLES: ±3°	

THIS DRAWING IS A CONTROLLED DOCUMENT.

DWN HAWKING HE 21DEC04	Tyco Electronics Tyco Electronics Corporation Kawasaki, Japan
CHK STEVEN YAO 21DEC04	
APVD I.ENOMOTO 21DEC04	NAME 名称 TRAY ASSY
PRODUCT SPEC 製品規格 108-60047	FH 0.6BTB CONNECTOR REC 4H W/G-CONT
APPLICATION SPEC 取付適用規格 114-5255	SIZE A3
WEIGHT	CAGE CODE 00779
CUSTOMER DRAWING	DRAWING NO 番号 G-5316077
	RESTRICTED TO
	SCALE 尺度 1:2
	SHEET 1 OF 3
	REV A

THIS DRAWING IS UNPUBLISHED. RELEASED FOR PUBLICATION MAY, 1995.
 © COPYRIGHT 1995 BY TYCO ELECTRONICS CORPORATION. ALL RIGHTS RESERVED.

LOC	DIST	REVISIONS			
J		P	LTR	DESCRIPTION	
				DATE	
				DWN	
				APVD	
		SEE SHEET 1			



AVAILABLE	51.8	50.6	54.7	50	47.4	160
AVAILABLE	45.8	44.6	48.7	44	41.4	140
NOT AVAILABLE	39.8	38.6	42.7	38	35.4	120
AVAILABLE	33.8	32.6	36.7	32	29.4	100
NOT AVAILABLE	30.8	29.6	33.7	29	26.4	90
AVAILABLE	27.8	26.6	30.7	26	23.4	80
	24.8	23.6	27.7	23	20.4	70
	21.8	20.6	24.7	20	17.4	60
	18.8	17.6	21.7	17	14.4	50
AVAILABLE	15.8	14.6	18.7	14	11.4	40
NOT AVAILABLE	12.8	11.6	15.7	11	8.4	30
TOOLING STATUS	E	D	C	B	A	POS

REFERENCE P.C.BOARD LAYOUT

THIS DRAWING IS A CONTROLLED DOCUMENT.		DWN	Tyco Electronics Corporation Kawasaki, Japan	
DIMENSIONS: 単位: 耗 mm		CHK	NAME 名称	
TOLERANCES UNLESS OTHERWISE SPECIFIED: 一般公差		APVD	TRAY ASSY FH 0.6BTB CONNECTOR REC 4H W/G-CONT	
0 PLC ± 0.3		PRODUCT SPEC 製品規格	SIZE	CAGE CODE
1 PLC ± 0.3		APPLICATION SPEC 取付適用規格	A3	00779
2 PLC ± 0.3		WEIGHT	DRAWING NO 番号	RESTRICTED TO
3 PLC ± 0.3		CUSTOMER DRAWING	G-5316077	
4 PLC ± 0.3			SCALE 尺度 4:1	SHEET 2 OF 3
ANGLES ± 3'				REV A
MATERIAL 材料	FINISH 仕上			

THIS DRAWING IS UNPUBLISHED. RELEASED FOR PUBLICATION MAY, 1995.

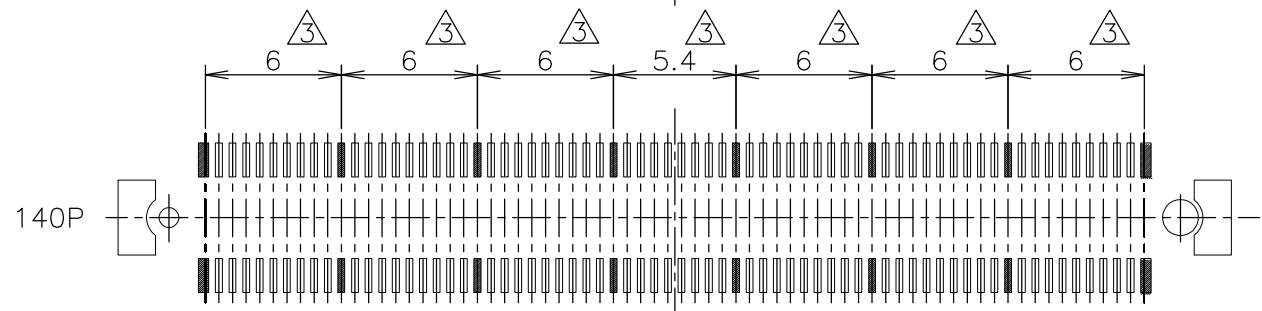
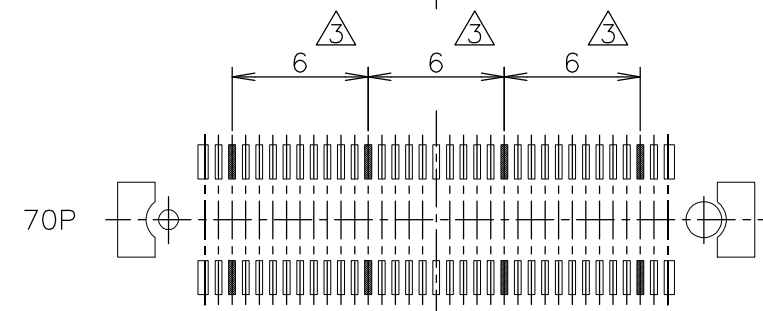
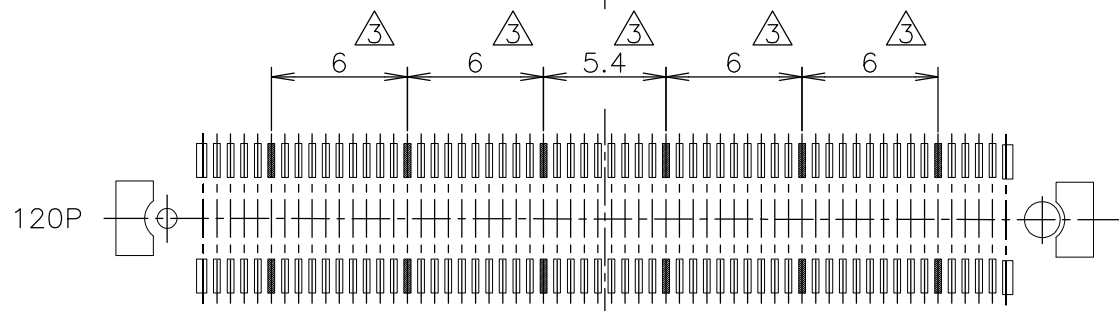
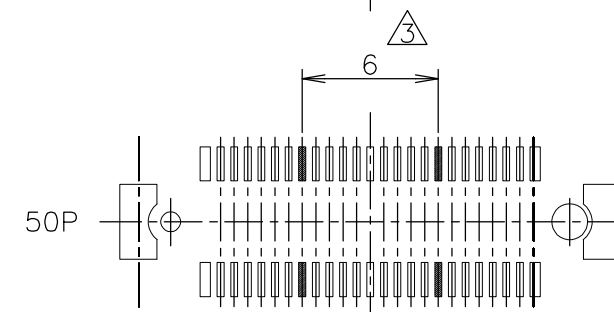
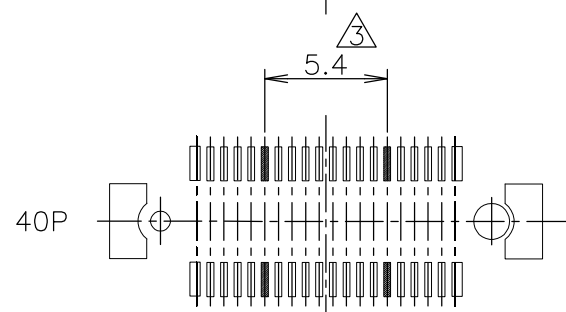
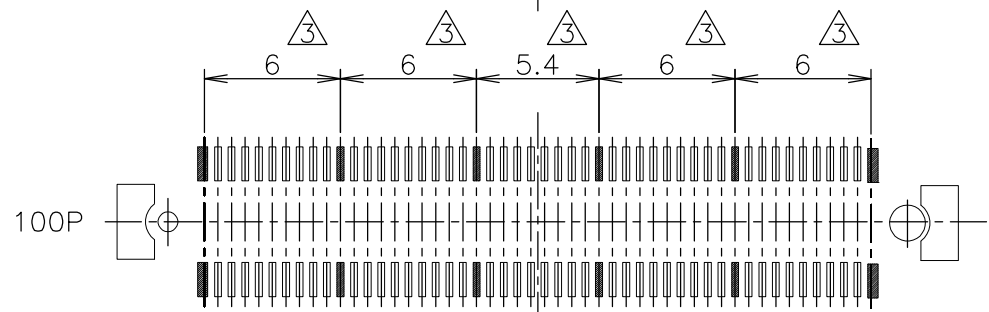
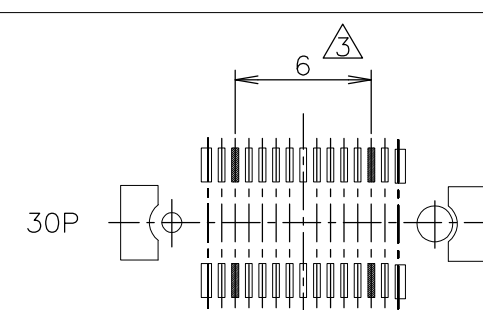
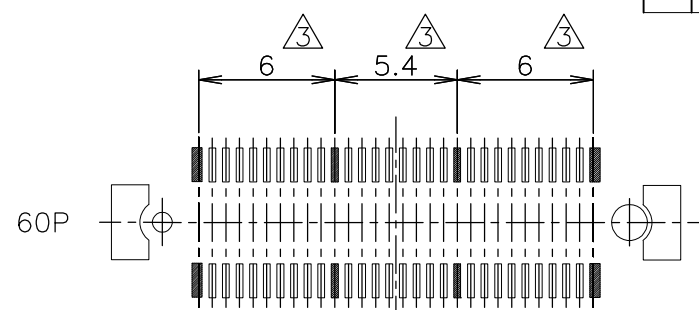
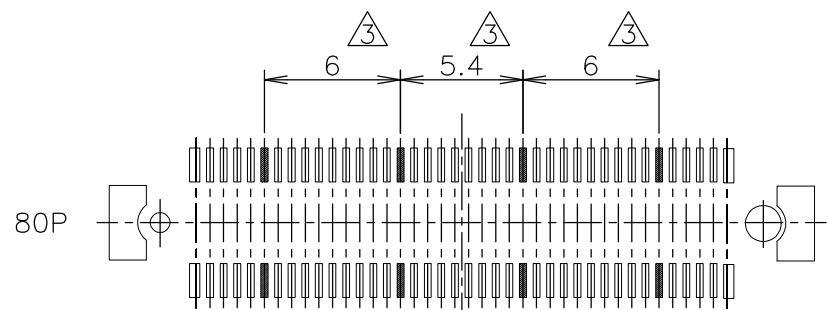
© COPYRIGHT 1995 BY TYCO ELECTRONICS CORPORATION. ALL RIGHTS RESERVED.

LOC J DIST

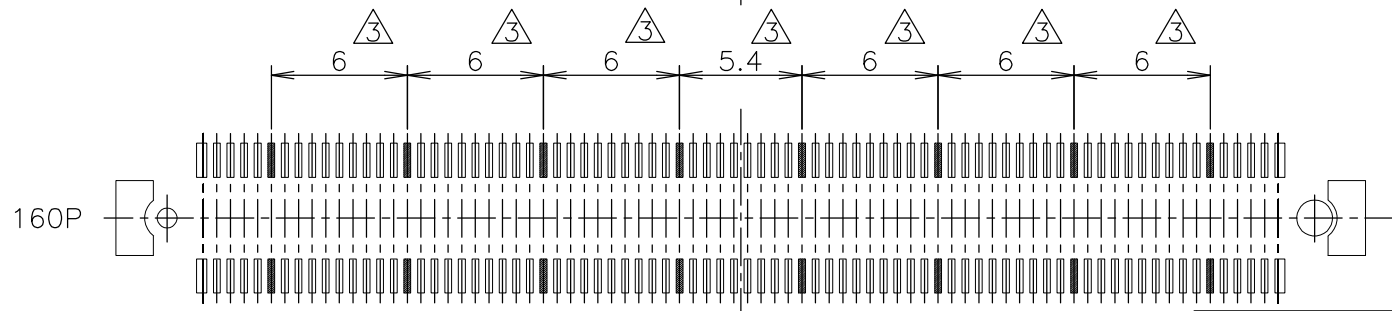
REVISIONS

変更

P	LTR	DESCRIPTION	DATE	DWN	APVD
	-	SEE SHEET 1	-	-	-



- △1 MATERIAL ; HOUSING : HIGH TEMP THERMO PLASTIC
UL94V-0
CONTACT : COPPER ALLOY
- △2 FINISH ; UNDER PL Ni 0.0013mm MIN ALL OVER.
CONTACT AREA 0.0002 MIN Au PL.
SOLDERING AREA: SIGNAL POS 0.00005 MIN Au PL.
GROUND POS 0.001 MIN TIN PL.
- △3 THIS POSITION IS GROUND CIRCUIT.



THIS DRAWING IS A CONTROLLED DOCUMENT.		DWN		Tyco Electronics Corporation																					
DIMENSIONS: 単位: 耗 mm		TOLERANCES UNLESS OTHERWISE SPECIFIED: 一般公差		Kawasaki, Japan																					
MATERIAL 材料		FINISH 仕上		NAME 名称																					
<table border="1"> <tr><td>0 PLC</td><td>± 0.3</td></tr> <tr><td>1 PLC</td><td>± 0.3</td></tr> <tr><td>2 PLC</td><td>± 0.3</td></tr> <tr><td>3 PLC</td><td>± 0.3</td></tr> <tr><td>4 PLC</td><td>± 0.3</td></tr> <tr><td>ANGLES</td><td>± 3'</td></tr> </table>		0 PLC	± 0.3	1 PLC	± 0.3	2 PLC	± 0.3	3 PLC	± 0.3	4 PLC	± 0.3	ANGLES	± 3'	<table border="1"> <tr><td>SIZE</td><td>CAGE CODE</td><td>DRAWING NO</td><td>RESTRICTED TO</td></tr> <tr><td>A3</td><td>00779</td><td>G-5316077</td><td></td></tr> </table>		SIZE	CAGE CODE	DRAWING NO	RESTRICTED TO	A3	00779	G-5316077		TRAY ASSY FH 0.6BTB CONNECTOR REC 4H W/G-CONT	
0 PLC	± 0.3																								
1 PLC	± 0.3																								
2 PLC	± 0.3																								
3 PLC	± 0.3																								
4 PLC	± 0.3																								
ANGLES	± 3'																								
SIZE	CAGE CODE	DRAWING NO	RESTRICTED TO																						
A3	00779	G-5316077																							
CUSTOMER DRAWING		SCALE 尺度 3:1		SHEET 3 OF 3																					
				REV A																					